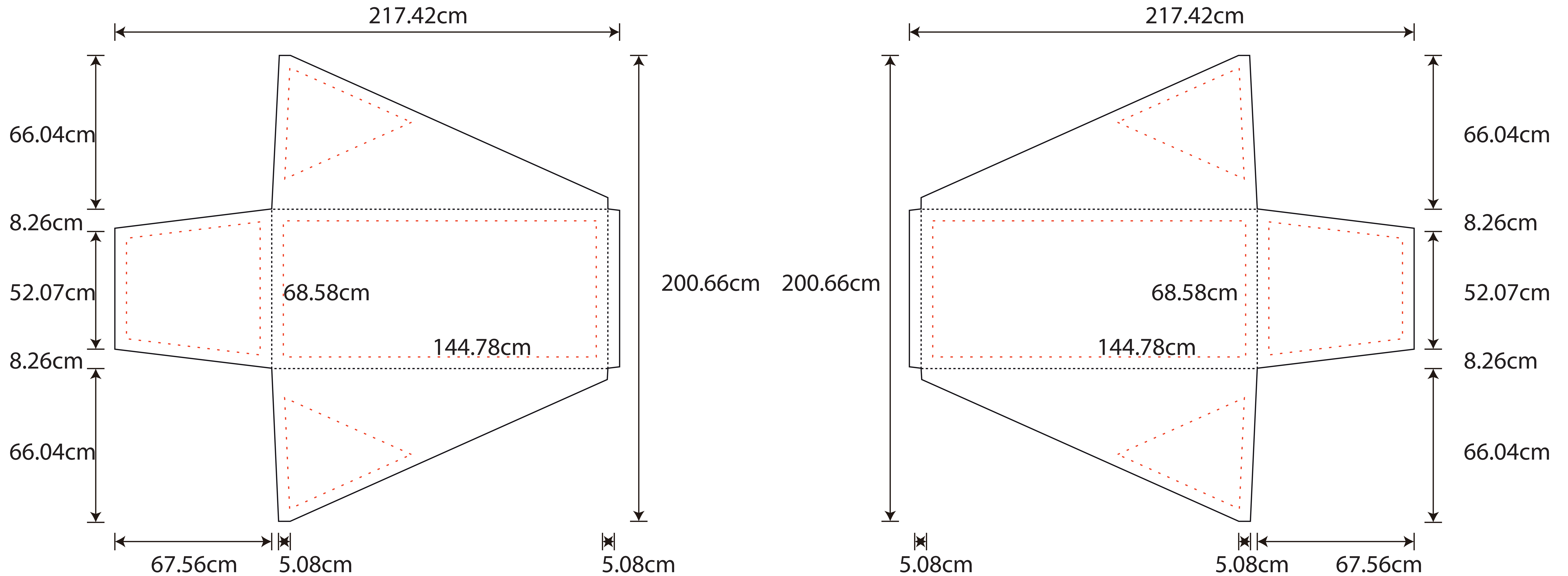


# TCSCR-6FT-180G



- Tips: 1. Please put your main artwork inside the gray area  
2. Please delete the layer before saving