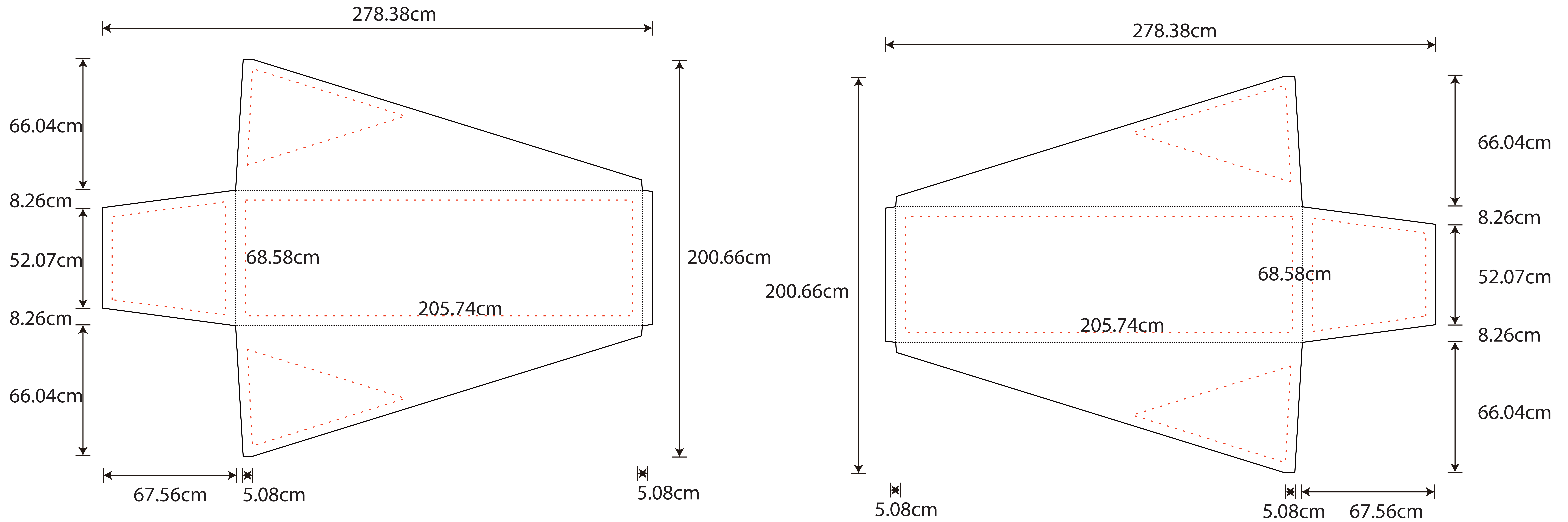


# TCSCR-8FT-180G



Tips: 1. Please put your main artwork inside the gray area  
2. Please delete the layer before saving